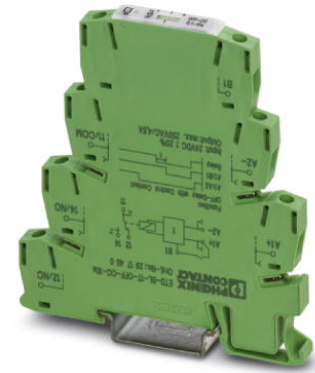


# ETD-BL-1T-OFF-CC- 10S

Order No.: 2917450

<http://eshop.phoenixcontact.fi/phoenix/treeViewClick.do?UID=2917450>

Timer relay with off delay (with control contact) and an adjustable time range (0.1 s - 10 s), with screw connection

## Commercial data

EAN	4046356367752
Pack	1 pcs.
Customs tariff	85364900
Weight/Piece	0.051 kg

## Product notes

WEEE/RoHS-compliant since:  
20.11.2008



Please note that the data given here has been taken from the online catalog. For comprehensive information and data, please refer to the user documentation at <http://www.download.phoenixcontact.com>. The General Terms and Conditions of Use apply to Internet downloads.

## Product description

Compact time relay in the 6.2 mm housing in order to control time sequences.

The time is set on the front side using a labeled knurled wheel which is sunk in order to prevent unintentional adjustment. The time can be set using a screwdriver (blade width 2.5 mm).

The compact time relays are available with varied time ranges as well as with screw and spring-cage connections.

### Technical data

#### Coil side

Input voltage range	24 V DC (19,2 V DC ...30 V DC)
Function	OFF-CC: Off delay with control contact
Time setting range	0.1 s ... 10 s

#### Contact side

Contact type	1 floating PDT
Output fuse	6.3 A (fast-blow)

#### General data

Length	80 mm
Width	6.2 mm
Height	86 mm
Status display	LED green (POWER) Yellow LED (relay active)
Service life mechanical	Approx. $2 \times 10^7$ cycles
Ambient temperature (operation)	-20 °C ... 65 °C
Ambient temperature (storage/transport)	-25 °C ... 80 °C
Mounting position	Any
Assembly instructions	on TS 35 profile rail acc. to EN 60715
Color	green
Housing insulation material	Polyamide PA, self-extinguishing
Permissible humidity (operation)	15 % ... 85 %
Conformity	CE compliant
ATEX approval	Ex nAC IIC T4 X

#### Connection data

Conductor cross section stranded min.	0.14 mm <sup>2</sup>
Conductor cross section stranded max.	2.5 mm <sup>2</sup>
Conductor cross section solid min.	0.14 mm <sup>2</sup>
Conductor cross section solid max.	2.5 mm <sup>2</sup>
Conductor cross section AWG/kcmil min.	26
Conductor cross section AWG/kcmil max	14
Stripping length	10 mm
Type of connection	Screw connection

**Control contact**

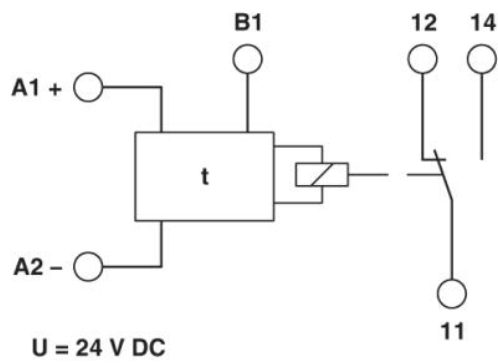
Connection name	Non-floating, terminals A1-B1
Control pulse length	Min. 50 ms

**Certificates**

Certification Ex: PxC-EX

**Drawings**

Block diagram



**Address**

PHOENIX CONTACT UAB  
Svitrigailos Str. 11b  
03228 Vilnius, LITHUANIA  
Phone +370 5 2106321  
Fax +370 5 2106324  
<http://www.phoenixcontact.lt>



Phoenix Contact Oy  
Technical modifications reserved;